



## SmartAX MA567X series ONU

Huawei SmartAX MA567X series products (MA5671/MA5673/MA5675/MA5675M) are indoor ONU devices oriented to SOHO and SME users. The MA567X series products provide users with multiple services, such as HSI, wireless office, enterprise private line, and video surveillance based on multiple service ports, such as GE, POTS, E1, and Wi-Fi. The MA567X series products can be horizontally placed on a worktable, mounted to a wall, or installed in a network cabinet, meeting various deployment requirements.

## Product Appearance



MA5671



MA5673



MA5675



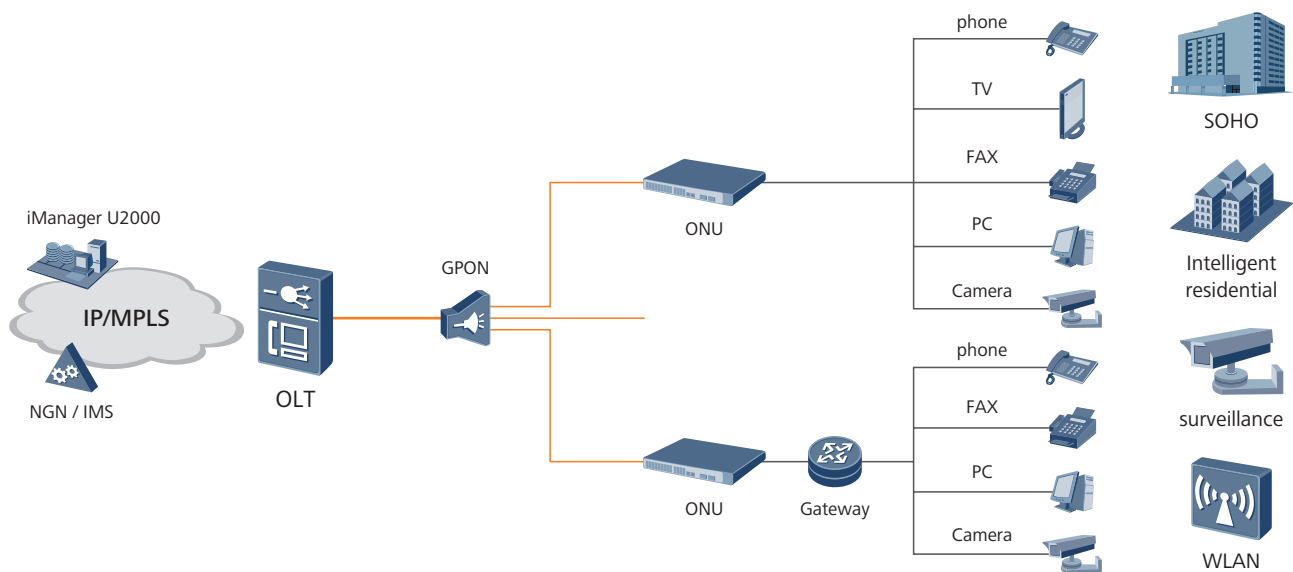
MA5675M

## Application Scenarios

The MA5671 can be used for SOHO, SME, internet cafe, residential, WLAN mobile backhaul. Uplink connects to OLT by GPON interface, downlink connect to PC or other terminals, provide Video over IP (IPTV) and everything internet service.

MA5673 is deployed at the GPON user access layer. It provides four 10/100/1000M Base-T Ethernet ports on the user side for connecting to a PC, set top box (STB), and video phone. It also provides four POTS ports for connecting to a phone, fax machine, and POS machine. Four TDM E1 interface can be used to access PBX.

MA5675 is deployed at the GPON user access layer. It provides four 10/100/1000M Base-T Ethernet ports on the user side for connecting to a PC, set top box (STB), and video phone. It also provides four POTS ports for connecting to a phone, fax machine, and POS machine. In addition, the MA5675 provides a Wi-Fi port for reliable high-speed wireless Internet services.





## Highlights

- The MA567X series products provide users with access to multiple services, such as GE-to-desk, POTS voice, fax, wireless office, and video surveillance.
- The MA5675 series products serve as a Dynamic Host Configuration Protocol (DHCP) server or client, meeting various application requirements.
- Support Class C+ optical module, max coverage to 30Km and max splitter ration to 1:128.
- High reliability: passive cooling, Anti-condensation design, 6KV lightning proof capability.
- Wide working temperature range from -40°C to 55°C, meeting extreme weather conditions.
- The MA567X series products support TR-069/ONU Management and Control Interface (OMCI)/OAM management modes. In this manner, terminal services can be managed without deployment of additional IP networks.
- Support Cat5 cable and LAN port diagnose function, quickly find and recovery fault point, make maintenance more easily.
- Unified NMS manage: provide Plug-and-play (PnP) service provisioning: remote configuration; remote upgrade and patch installation, remote fault location.
- Support Y.1731 Ethernet link monitor function, quickly diagnose and report fault, make sure the network stability.

## Key Features

<b>GPON</b>	Complies with ITU G.984 standards 8 T-CONTs 32 GEM ports
<b>GE</b>	Complies with IEEE 802.3ab standards Support single and multi mode, support full duplex and self-adoption mode
<b>Broadband</b>	8 VLANs per port, supporting QinQ and stacking VLAN 1K MAC addresses 802.1p, supporting PQ and WRR flow control, and ACL
<b>Multicast</b>	IGMP proxy IGMP V2&V3 snooping
<b>Narrowband</b>	Support SIP and H.248 Support T.38 FAX protocol
<b>Wi-Fi</b>	Support 802.11 b/g/n Support 2x2 MIMO, enhanced antenna (build in or out)
<b>Route</b>	Virtual server and port trigger; DMZ and DDNS NAT and NAPT support DHCP server VPN transparent (gateway), support L2TP/IPSEC
<b>QOS</b>	Support traffic classification based on VLAN, 802.1p, and VLAN+802.1p Support 8 priority queues per user port
<b>Security</b>	Static MAC address binding Anti-MAC and anti-IP spoofing; source MAC address and IP address filtering Anti-DOS attack, firewall and subscriber isolation
<b>Maintenance and management</b>	Support Y.1731 Support OMCI and TR069 Remote and batch pre-deployment Remote upgrade and monitoring

## Specifications

Product	 MA5671	 MA5673	 MA5675	 MA5675M
Dimensions (W*D*H)	134mm x 115mm x 27mm	250mm x 180mm x 43.6mm	260mm x 180mm x 30mm	250mm x 180mm x 43.6mm
Network-side port	1*GPON	1*GPON	1*GPON	1*GPON 1*GE
User-side port	4GE	4GE+4POTS+4E1	4GE+4POTS+WIFI	4GE+8POTS+WIFI
Operating temperature	-40°C ~ +55°C	-40°C ~ +55°C	-40°C ~ +55°C	-40°C ~ +55°C
Humidity	5% to 95% (non-condensing)	5% to 95% (non-condensing)	5% to 95% (non-condensing)	5% to 95% (non-condensing)
Heat dissipation mode	Passive cooling without fan	Passive cooling without fan	Passive cooling without fan	Passive cooling without fan
Lighting proof	Power port: 6Kv; Network port: 6Kv	Power port / Network port: 6kV; POTS: 4kV	Power port / Network port: 6kV; POTS: 4kV	Power port / Network port: 6kV; POTS: 4kV
EMC	Class B	Class B	Class B	Class B
Power supply	AC: 220v/110v; battery backup: 12V DC	AC: 220v/110v; battery backup: 12V DC	AC: 220v/110v; battery backup: 12V DC	AC: 220v/110v; battery backup: 12V DC
Weight	0.5 kg	1.5 kg	1 kg	1 kg
Power consumption	5W	15W	14W	15W

**HUAWEI TECHNOLOGIES CO., LTD.**

Huawei Industrial Base  
Bantian Longgang  
Shenzhen 518129, P.R. China  
Tel: +86-755-28780808

Version No.: M3-039776-20141205-C-1.0

Copyright © Huawei Technologies Co., Ltd. 2014. All rights reserved.

THIS DOCUMENT IS FOR INFORMATION PURPOSE ONLY, AND DOES NOT CONSTITUTE ANY KIND OF WARRANTIES.

[www.huawei.com](http://www.huawei.com)